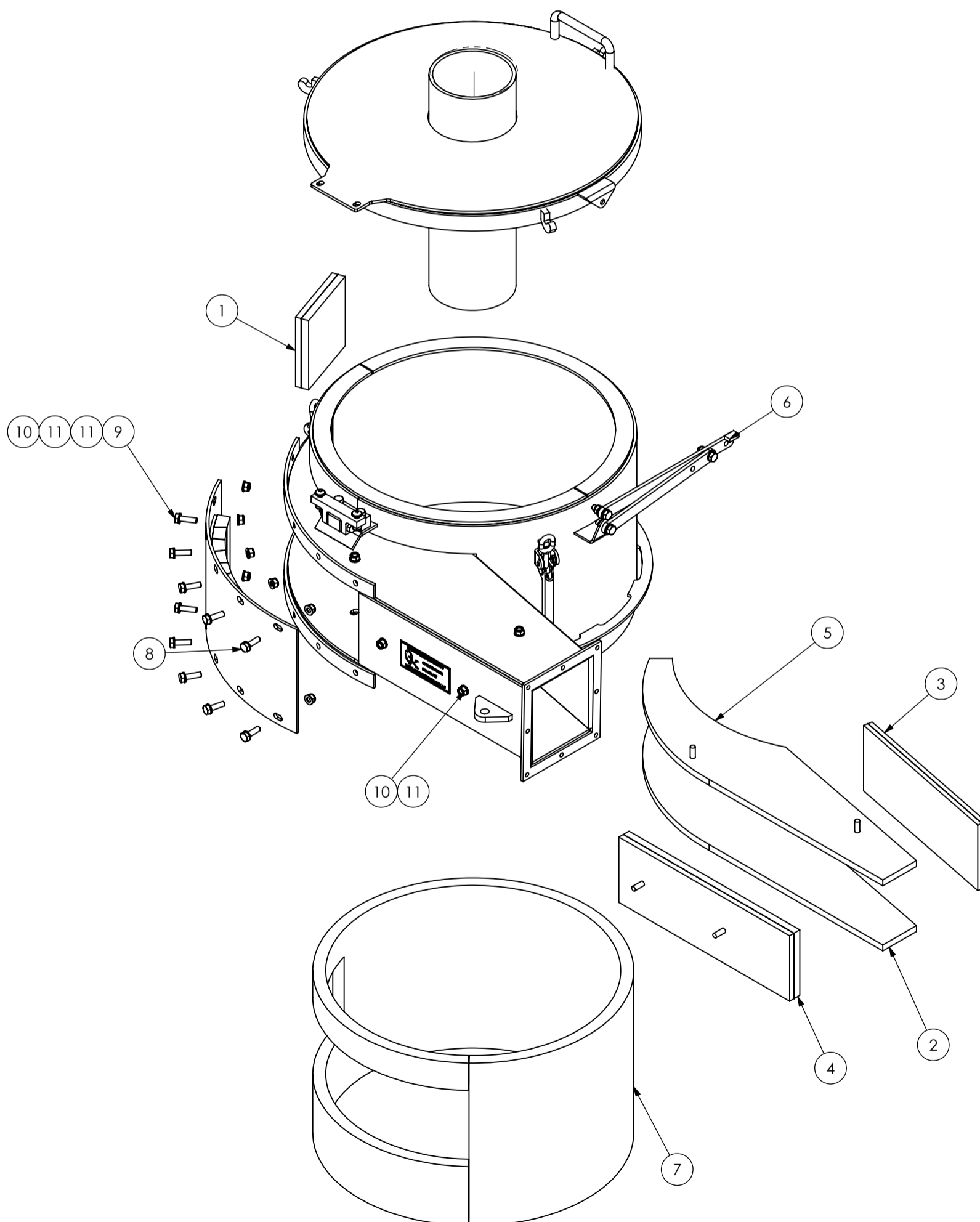


ITEM NO.	PART NUMBER	DESCRIPTION	QTY.
1	260-001-035	Cyclone Liner Plate, Square	1
2	260-001-036	Cyclone Inlet Liner, Bottom	1
3	260-001-037	Cyclone Inlet Liner, Inner	1
4	260-001-038	Cyclone Inlet Liner, Outer	1
5	260-001-039	Cyclone Inlet Liner, Top	1
6	260-001-117	Cyclone Barrel and Lid Assembly	1
7	260-001-151	Cyclone Barrel, Body Liner Replacement	1
8	260-001-152	Cyclone Wear Door, Assembly	1
9	-	Hex Bolt M10 x 35 Zinc Plated Gr 8.8	10
10	-	Nut Nyloc Metric M10 Coarse Thread Gr8.8 ZP	20
11	-	Washer, Flat Round, M10, HT, Zinc Plated	29



260-001-116

Cyclone Barrel 90° Lid, Assembly

